

Founded 1947

南侨小学

NAN CHIAU PRIMARY SCHOOL  
TERM 2 LEARNING REVIEW  
2025  
MATHEMATICS  
PRIMARY 4

Name / Index No.		( )
Class	Primary 4 _____	
Date	14 May 2025	
Duration	45 min	
Marks	Total	30
Parent's Signature		

Instructions to students	<ol style="list-style-type: none"><li>1. Do NOT open this booklet until you are told to do so.</li><li>2. Follow all instructions carefully.</li><li>3. Answer all questions.</li><li>4. Write your answers in this booklet.</li><li>5. Use a dark blue or black ballpoint pen to write your answers in the space provided for each question.</li><li>6. Do not use correction fluid/tape or highlighters.</li></ol>
--------------------------	--

This paper consists of 11 pages altogether.

**Section A**

Questions 1 to 10 carry 1 mark each. Questions 11 to 15 carry 2 marks each. Write your answers in the spaces provided. For questions which require units, give your answers in the units stated. (20 marks)

1 Write twenty-seven thousand, three hundred and nine in numerals.

Ans:

2 Round 10 247 to the nearest ten.

Ans:

3 Write down the common factors of 15 and 20.

Ans:

4 Arrange the following fractions from the smallest to the greatest.

$$\frac{1}{3}$$

$$\frac{1}{10}$$

$$\frac{1}{6}$$

Ans:

_____	_____	_____
smallest		

5 What is the remainder when 5840 is divided by 7?

Ans:

--

6  $\frac{1}{2} - \frac{3}{8} =$  \_\_\_\_\_

Ans:

--

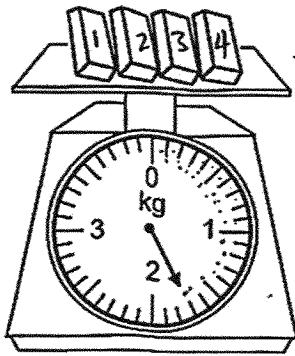
--

7 What is the missing number in the box?

$$\frac{1}{3} = \frac{\boxed{?}}{12}$$

Ans:

8 Look at the diagram below.

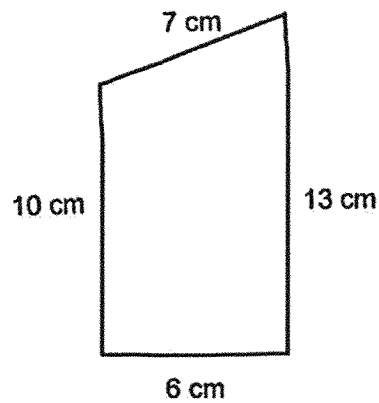


What is the mass of the 4 iron bars? Express your answer in g.

Ans:

 g

- 9 Find the perimeter of the figure.



Ans:  cm

- 10 The table below shows the number of participants who signed up for an upcycling workshop from 5 different classes.

Classes	4A	4B	4C	4D	4E
Number of participants	15	18	26	9	36

Which class has twice the number of participants as Class 4B?

Ans:

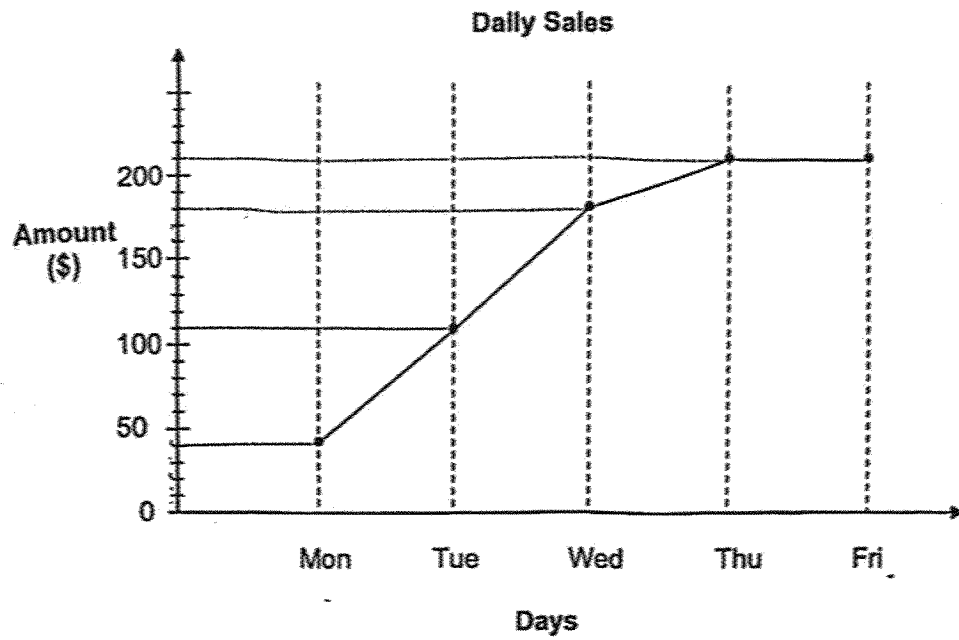
- 11 A number is a multiple of 9 and a factor of 6.  
It is between 60 and 80.  
What is the number?

Ans:

- 12 The sum of two numbers is 7390.  
The greater number is 4 times the smaller number.  
What is the greater number?

Ans:

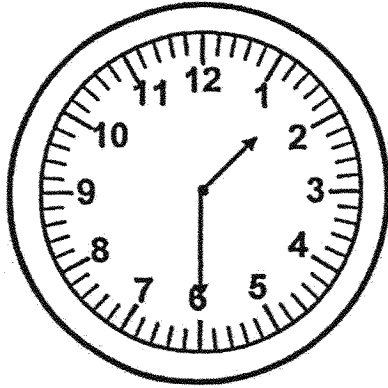
- 13 The line graph below shows the daily sales of a store from Monday to Friday.



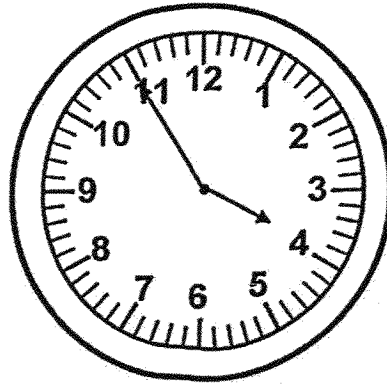
Each statement below is either true or false from the information given. For each statement, put a tick (✓) in the correct column.

Statement	True	False
(a) The amount of money collected from the sales on Thursday and Friday was the same.	<input type="checkbox"/>	<input type="checkbox"/>
(b) The difference between the highest sales and the lowest sales for the week was \$250.	<input type="checkbox"/>	<input type="checkbox"/>

- 14 The starting and ending times for a movie are shown below.  
How long was the movie?  
Express your answer in hours and minutes.



Start



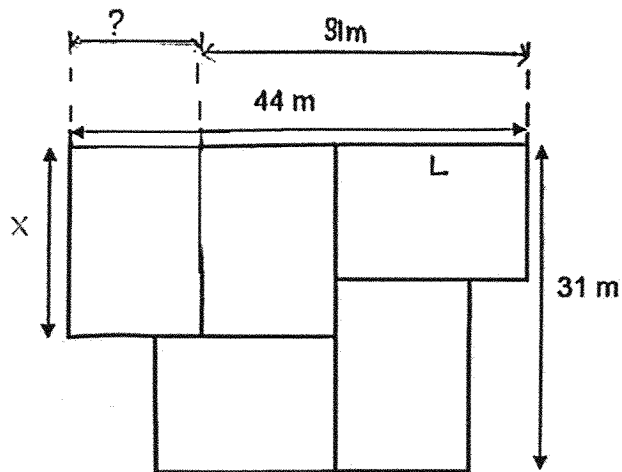
End

Ans:

___ h ___ min
---------------

--

- 15 The figure below is made up of 6 identical rectangles.  
Find the length of  $X$ .

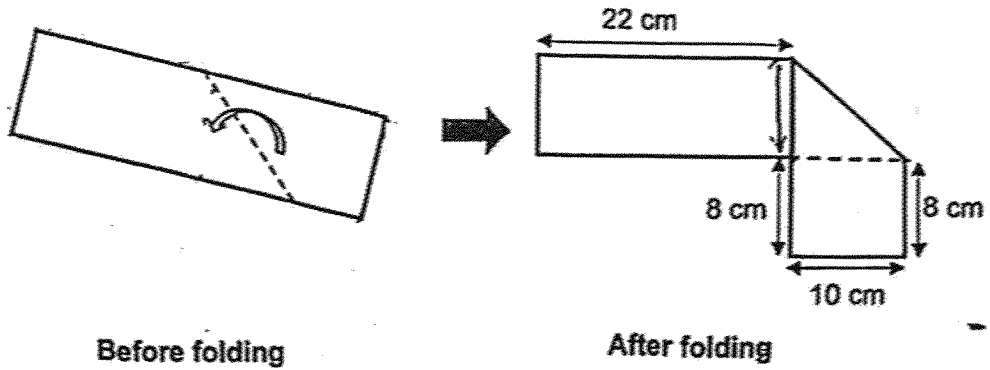


Ans:  m

**Section B**

For questions 16 to 18, show your working clearly and write your answers in the spaces provided. The number of marks available is shown in the bracket [ ] at the end of each question or part-question. (10 marks)

16 A piece of rectangular paper was folded to form the shape below.



(a) Find the perimeter of the rectangular paper before it was folded.

Ans: (a)  cm [2]

(b) Find the area of the rectangular paper before it was folded.

Ans: (b)  cm<sup>2</sup> [1]

- 17 Xavier, Yusof and Zachary scored a total of 561 points in a game.  
Xavier scored 93 more than Yusof.  
Zachary scored twice the total number of points Xavier and Yusof scored.  
How many points did Xavier score?

Ans:

[3]

18 Aisyah sold some cupcakes at a carnival. For every 30 cupcakes sold, she would donate \$5 to a charity. In the end, Aisyah donated \$80 to the charity.

(a) How many cupcakes did Aisyah sell?

Ans: (a)  [2]

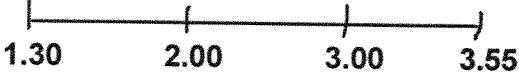
(b) Aisyah sold each cupcake for \$3. After donating \$80, how much did she earn from the sale?

Ans: (b) \$  [2]

End of Paper

**SCHOOL : NAN CHIAU PRIMARY SCHOOL**  
**LEVEL : PRIMARY 4**  
**SUBJECT : MATHEMATICS**  
**TERM : 2025 WEIGHTED ASSESSMENT 2**

Q1)	27309
Q2)	10250
Q3)	1 and 5
Q4)	$\frac{1}{10}, \frac{1}{6}, \frac{1}{3}$
Q5)	2
Q6)	$\frac{1}{8}$
Q7)	4
Q8)	1700 g
Q9)	$10 + 7 = 17$ $13 + 6 = 19$ $17 + 19 = 36 \text{ cm}$
Q10)	4B $\rightarrow$ 18 participants $18 \times 2 = 36 \rightarrow$ Class 4E
Q11)	9:63, 72 $63 \div 6 = 10 \text{ R } 3$ $72 \div 6 = 12$ Ans: 72
Q12)	$6 \rightarrow 4u$ $s \rightarrow 1u$ Total $\rightarrow 5u = 7390$ 1 unit = $7390 \div 5 = 1478$ 4 units = $1478 \times 4 = 5912$
Q13)	a) True b) False

Q14)	 <p>30min + 1h + 55min = 2h 25min</p>
Q15)	18m
Q16)	<p>a) <math>22 + 10 + 8 = 40</math>  <math>40 + 10 + 40 + 10 = 100\text{cm}</math>  b) <math>40 \times 10 = 400 \text{ cm}^2</math></p>
Q17)	<p><math>93 \times 3 = 279</math>  <math>561 - 279 = 282</math>  6 units = 282  1 unit = <math>282 \div 6 = 47</math>  <math>47 + 93 = 140</math></p>
Q18)	<p>a) <math>80 \div 5 = 16</math>  <math>16 \times 30 = 480</math>  b) <math>480 \times 3 = 1440</math>  <math>1440 - 80 = \\$1360</math></p>